

SKF

SKF TMMX

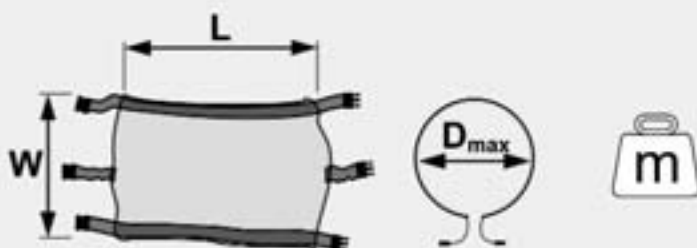


**Instructions for use
Mode d'emploi
Bedienungsanleitung
Instrucciones de uso
Manuale d'istruzionei**

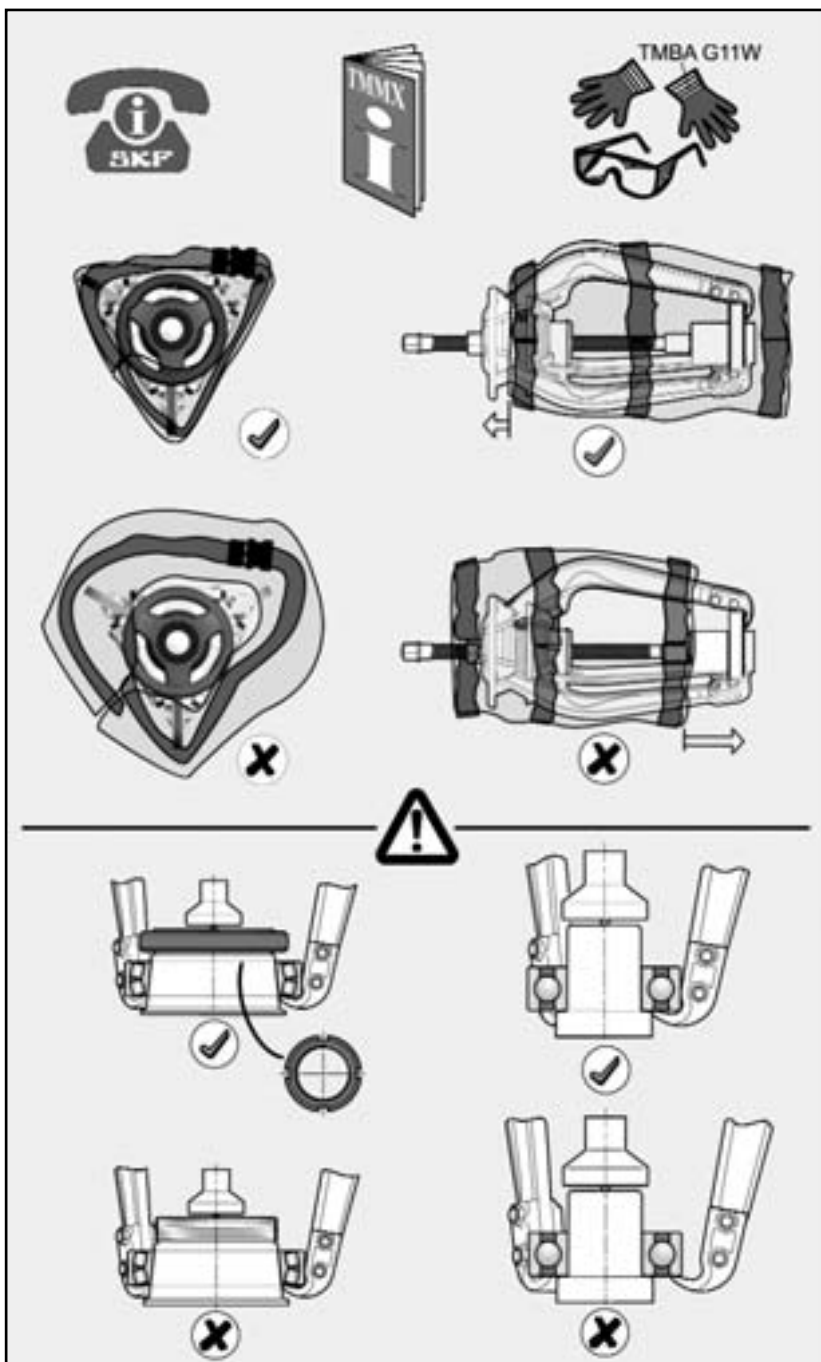
**Bruksanvisning
Gebruiksaanwijzing
Instrucções de utilização
Brugervejledning
Käyttöohje**

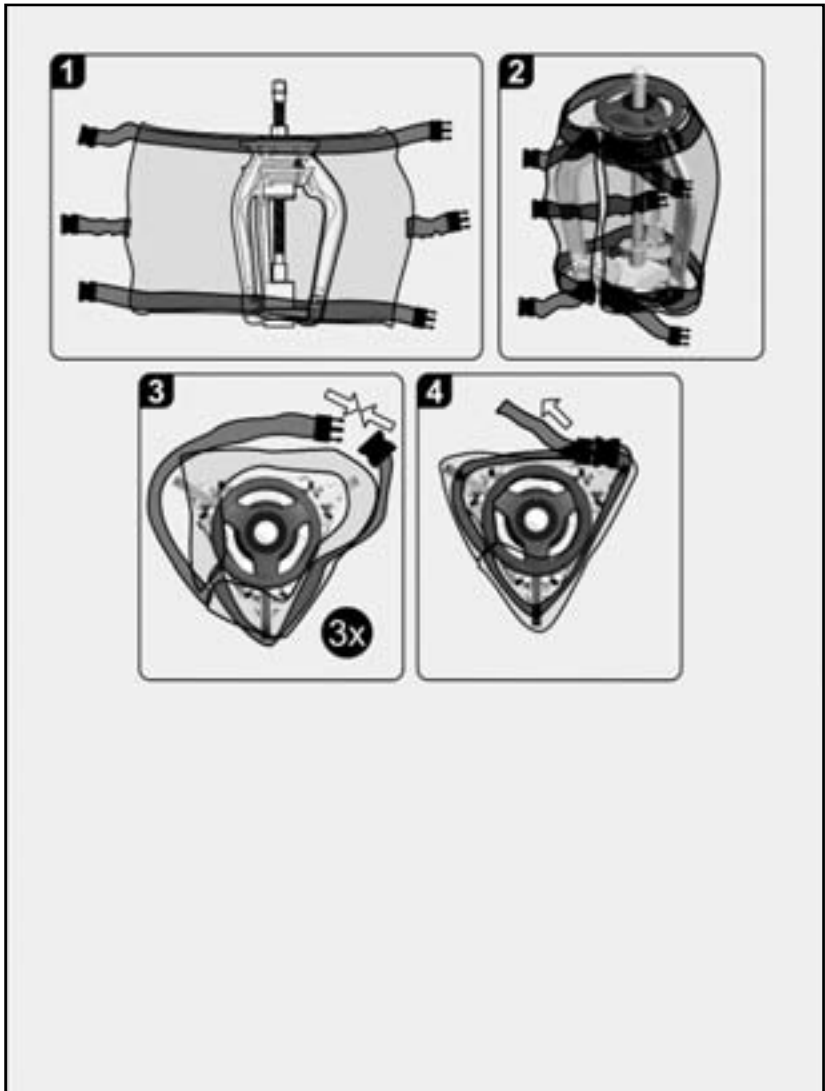
	TMMX 210			TMMX 280			TMMX 350					
	3x185	3x230	3x300	6	10	15	3	5	8	15	30	50
TMMX 210	☹	☺	-	☹	-	-	☺	☹	☺	-	-	-
TMMX 280	-	☺	☹	-	☺	-	☺	☺	☺	☺	-	-
TMMX 350	-	-	☹	-	☹	☺	☺	-	☺	☺	-	-

	TMMX 210			TMMX 280			TMMX 350			
	2x55	2x170	40F	60F	80F	120F	160F	200F	250F	350F
TMMX 210	-	☹	-	-	-	☹	☹	-	-	-
TMMX 280	-	☹	-	-	-	-	☹	☺	-	-
TMMX 350	-	-	-	-	-	-	-	-	☺	-



	L		W		D _{max}		m	
	(mm)	(in)	(mm)	(in)	(mm)	(in)	(kg)	(lb)
TMMX 210	750	29	420	12	210	8.3	0,27	0.6
TMMX 250	980	38	480	15	280	11.0	0,39	0.9
TMMX 350	1200	47	580	19	350	13.8	0,60	1.4





In line with our policy of continuous development of our products we reserve the right to alter any part of the above specification without prior notice.

SKF Maintenance Products

© Copyright SKF 2003/11

www.mapro.skf.com
www.skf.com/mount

MP5190